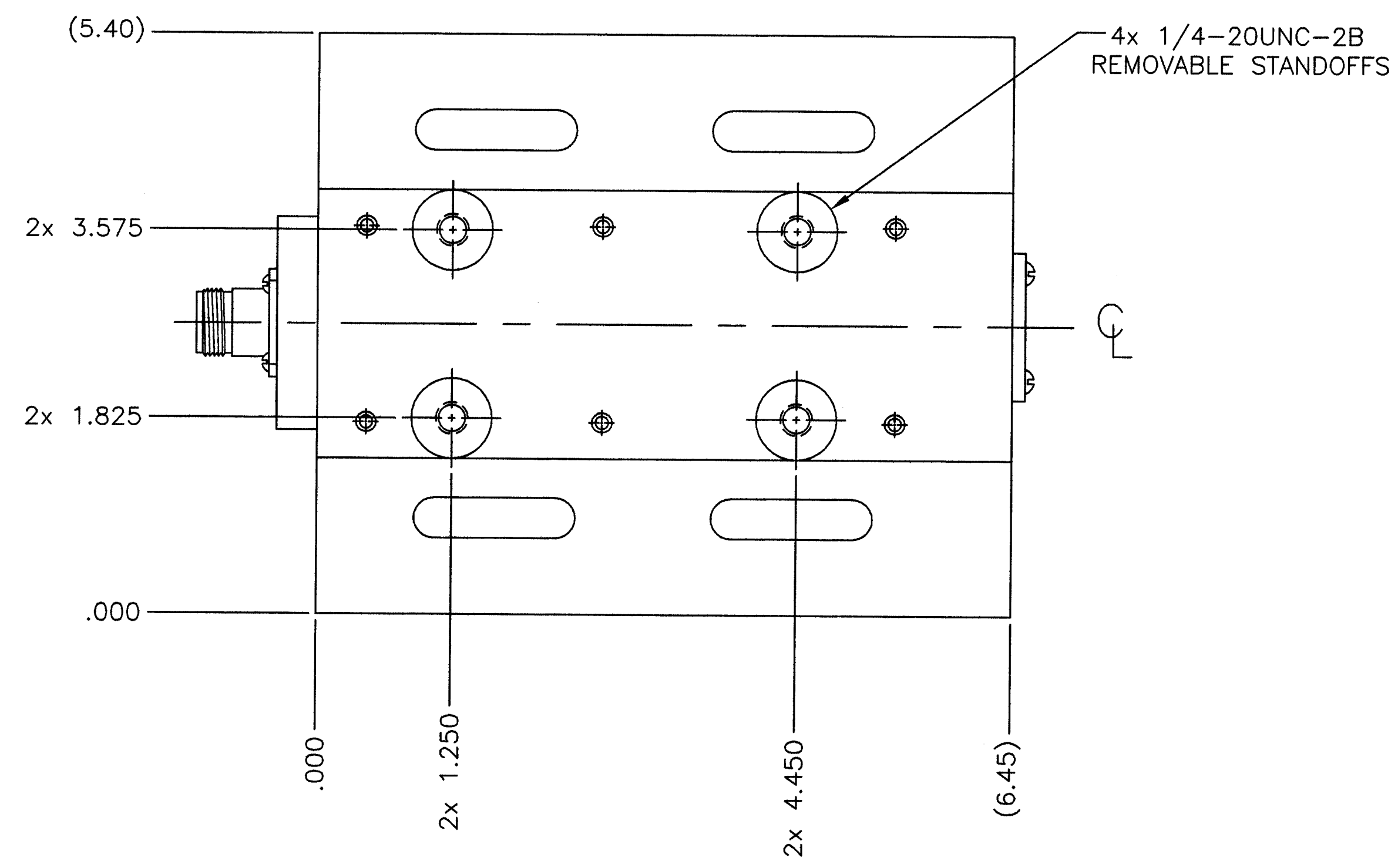
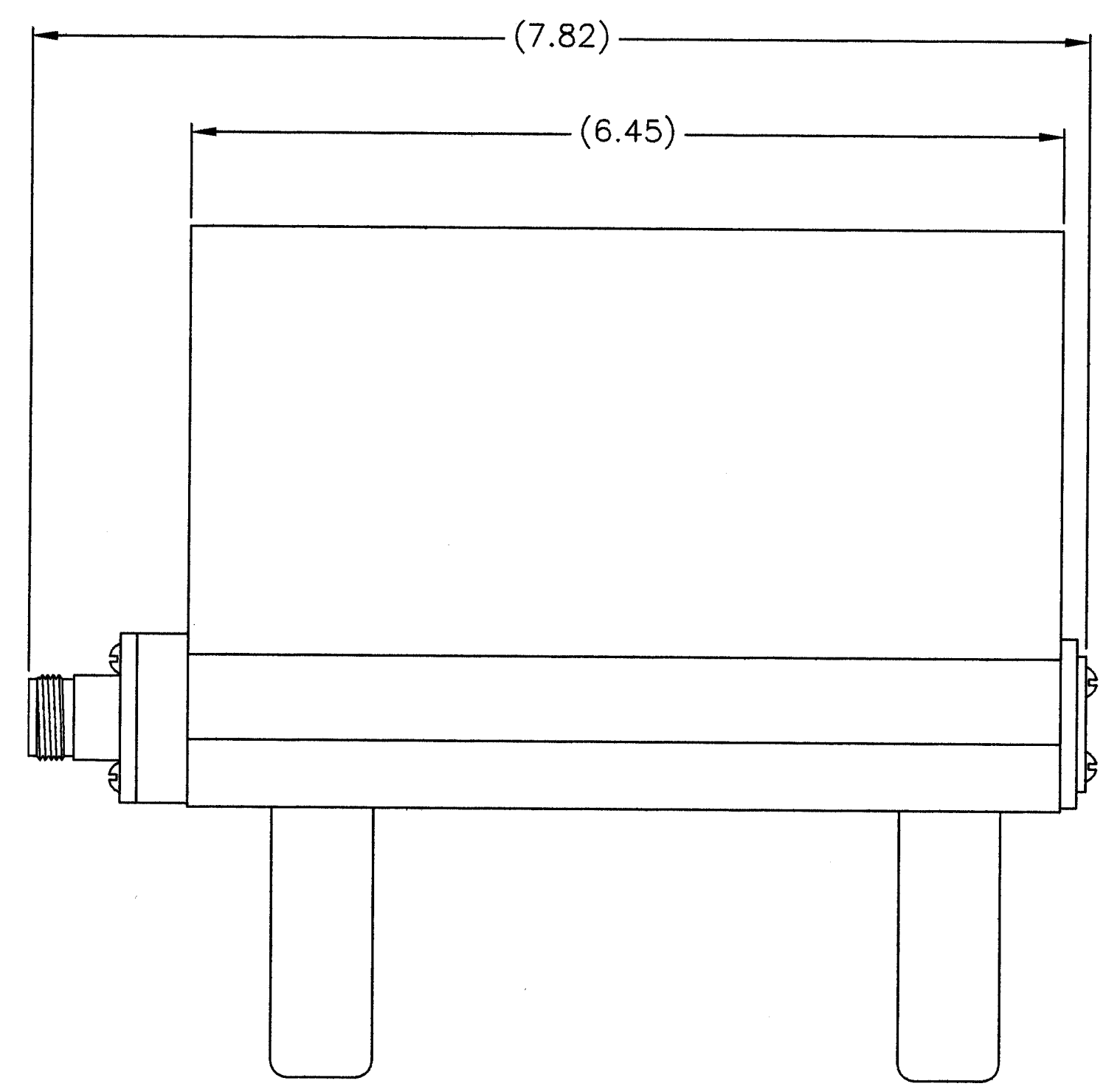
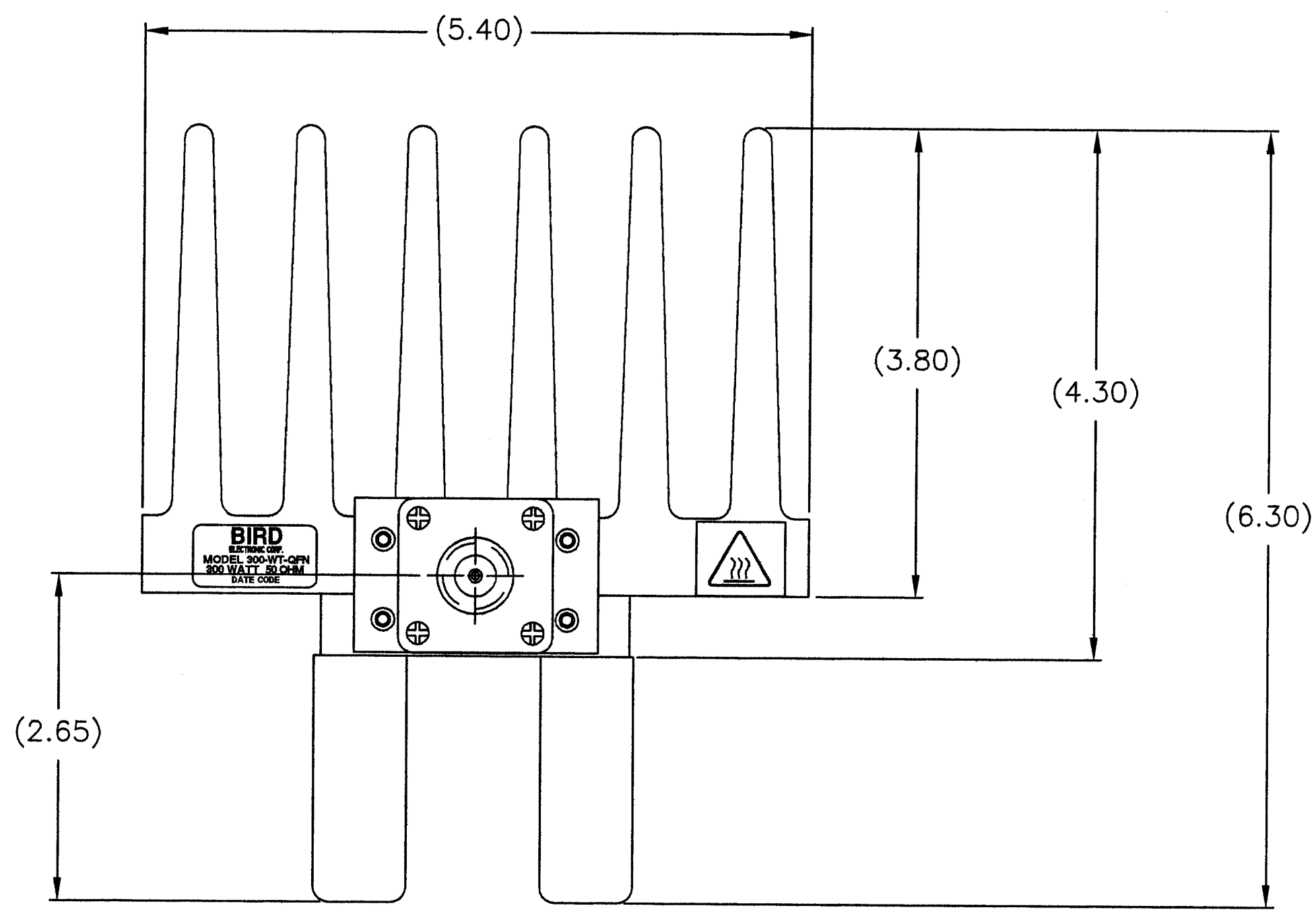


IMPEDANCE: 50 OHMS NOMINAL
 FREQUENCY RANGE: DC TO 2.4GHz
 VSWR: DC TO 1GHz AT 1.10:1 MAX.
 1GHz TO 2.4 GHz AT 1.25:1 MAX.
 POWER RATING: 300 WATTS AVG. AT 25°C AMBIENT
 DERATED LINEARLY TO 0.0 WATTS AT 125°C.
 COOLING FIN: ALUMINUM, BLACK ANODIZED
 HEAT SPREADER: ALUMINUM, BLACK ANODIZED
 CONNECTOR: 'QC' N-TYPE FEMALE
 OPERATING POSITION: ANY POSITION EXCEPT MOUNTING SURFACE UP
 NOMINAL SIZE: APPROX. 7.815" L X 5.400" W X 5.550" H
 WEIGHT: APPROX. 4.8 LBS

REVISIONS				
ZONE	REV	DESCRIPTION	DATE	APPROVED
	A	CONVERT TO BEC FORMAT	DMR 1-6-03	MRA



DIMENSIONS HEREON ARE FOR CUSTOMER
 CONVENIENCE AND REFERENCE ONLY.
 TOLERANCE TO BE APPLIED ONLY WHERE
 INDIVIDUALLY STATED ON THE RESPECTIVE
 DIMENSION. -DO NOT SCALE DRAWING-

<small>UNLESS OTHERWISE SPECIFIED DIMENSIONS ARE IN INCHES TOLERANCES ARE: FRACTIONS DECIMALS ANGLES ± 1/64 .XX ± 0.010 ± 30' .XXX ± 0.005</small>		<small>MILLIMETERS .X ± .4 .XX ± .12</small>		<small>THIS DRAWING IS THE PROPERTY OF THE BIRD ELECTRONIC CORPORATION. THE DESIGNS AND SPECIFICATIONS DISCLOSED HEREON ARE PROPRIETARY AND SHALL NOT BE REPRODUCED, COPIED, NOR USED AS THE BASIS FOR THE MANUFACTURE OR SALE OF APPARATUS OR DEVICES WITHOUT THEIR EXPRESS WRITTEN CONSENT.</small>	
<small>DO NOT SCALE DRAWING</small>		<small>APPROVALS</small> DRAWN: D.M.RINK CHECKED: APPROVED: MRA		<small>DATE</small> 1-6-03 <small>DATE</small> 1-22-03 <small>AUTOCAD</small>	
<small>MATERIAL</small> FINISH:		<small>TITLE</small> TERMINATION, CONVECTION COOLED "QC" N-TYPE FEMALE, 300W		<small>REV</small> A	
<small>SIZE</small> D		<small>FSCM NO.</small> 70998		<small>DWG. NO.</small> 300-WT-QFN	
<small>SCALE</small> 1:1		<small>COM. CODE</small> LD1		<small>SHEET</small> 1 OF 1	

PART NO. 300-WT-QFN